

P-EG **stainless steel housing** **for gas filtration**



ultra.filter P-EG

■ The P-EG stainless steel housing was developed for purification of compressed air and other technical gases.

■ With the optimized construction they offer low differential pressure at high flow rates.

Features and advantages

- 18 different sizes for operating volumes from 60 to 23.040 Nm³/h related to 7 bar.
- Complies to the requirements of the European directive 97/23/EG for pressure vessels.
- Plug connection guarantees that the elements remain safely fixed at all times.
- Different element sizes can be installed due to the modular design.

Applications

- Chemical Industry
- Aseptic packing
- Pharmaceutical Industry
- Biotechnology
- Cosmetics Industry
- Breweries
- Dairies
- food and beverages
- Water treatment systems
- Fermentation processes

P-EG stainless steel housing

Materials:

Filter housing	stainless steel 1.4301 (304) or 1.44.04 (316L)
Coupling nut	stainless steel 1.4301 (304)
Plug	stainless steel 1.4301 (304)
Housing gasket	EPDM (other gasket upon request)

Surface finish:

Inner: 0006 – 0288 0432 – 1920	etched and passivated R_a 0,8
Outer: 0006 – 0288 0432 – 1920	etched, passivated and polished R_a 1,6 etched and passivated (not polished)

Connection types

BSP thread connection	standard for 0006 – 0288 single housing
DIN flange	standard, starting at 0432 multiple housing
Welded ends Other connections and bigger housings, in request	

Maximum design temperature:

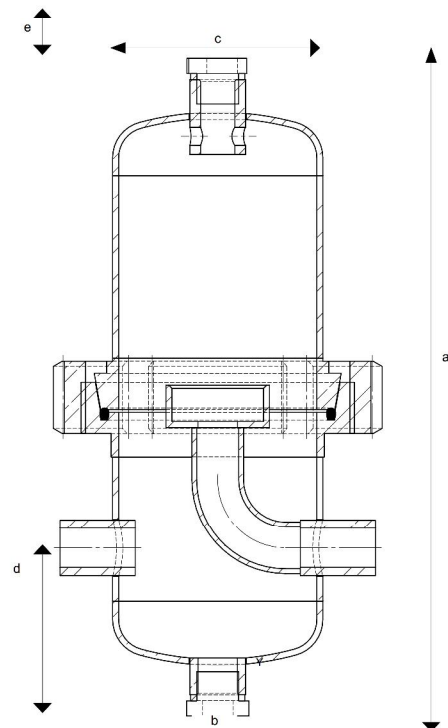
-25 to 200 °C

Maximum operating pressure:

0006 – 0192	16 bar
0288	12 bar
0432 – 1920	10 bar

P-EG stainless steel housing

type P-EG	volume flow at 7 bar m ³ /h		connect. BSP / NPT	filter element		dimensions in mm					weight in kg
	nom	max		Gr.	Anz.	A	B	C	D	E	
0006	60	90	R 1/4"	03/10	1	220	108	70	55	90	2
0009	90	120	R 3/8"	04/10	1	248	105	70	55	120	2,1
0012	120	180	R 1/2"	04/20	1	248	108	70	55	120	2,2
0018	180	270	R 3/4"	05/20	1	272	125	70	55	150	2,4
0027	270	360	R 1"	05/25	1	298	125	85	74	150	3,2
0036	360	480	R 1 1/4"	07/25	1	350	140	85	74	200	3,7
0048	480	720	R 1 1/2"	07/30	1	388	170	104	94	200	5,1
0072	720	1080	R 2"	10/30	1	463	170	104	93	280	5,2
0108	1080	1440	R 2"	15/30	1	590	170	104	93	450	5,8
0144	1440	1920	R 2 1/2"	20/30	1	740	216	129	107	580	8,1
0192	1920	2880	R 3"	30/30	1	1002	216	129	111	850	9,6
0288	2880	4320	R 3"	30/50	1	1027	240	154	113	850	13



Technical Alternations reserved.


ULTRAFILTER
 THE FILTRATION MANUFACTURER
ultraair ultrafilter®

ultrafilter gmbh

Otto-Hahn-Str. 1 • 40721 Hilden • Germany
 Tel: +49 (0) 21 03.33 36 13 • Fax +49 (0) 21 03.33 36 36
 e-Mail: info@ultra-filter.de • www.ultra-filter.de